

1/2" SOLDERED JUMPER CABLE WITH RIGHT ANGLE CONNECTOR(S)

CONNECTOR TYPE	7-16 Right angle male N Right angle male 7-16 male and female N male and female 4.3/10 male and female 4.3/10 Right angle male
CABLE TYPE	RFF 1/2"-50 (Superflexible)
LENGTH	Standard lengths: 0.5, 1, 1.5, 2, 3 and 5 m Other lengths available on request

ELECTRICAL CHARACTERISTICS at +20°C

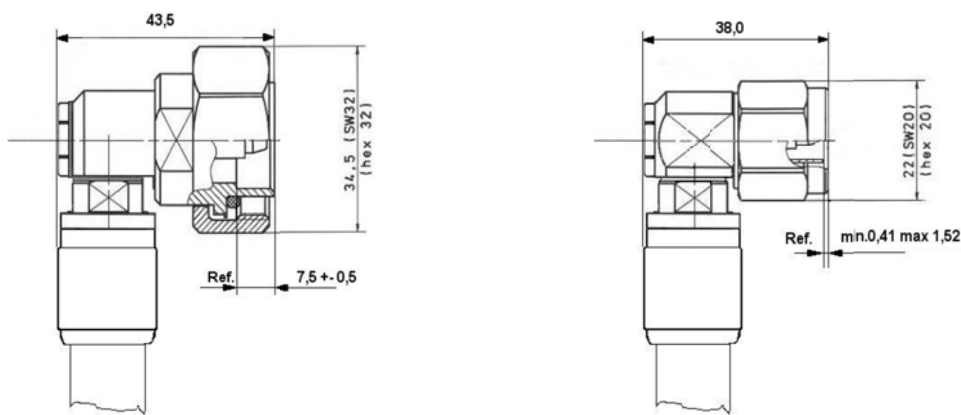
Characteristic impedance	50 ± 1 Ω
Return loss (VSWR) for	
- 30 - 1000 MHz	30 dB (1.06)
- 1000 - 2200 "	28 dB (1.08)
Intermodulation (2x20W Tx, 3 rd order, typical)	-160 dBc
Attenuation at (cable)	
- 900 MHz	0.100 dB/m (0.03 dB/ft)
- 1000 "	0.106 " (0.03 dB/ft)
- 1800 "	0.147 " (0.04 dB/ft)
- 1900 "	0.151 " (0.05 dB/ft)
- 2000 "	0.155 " (0.05 dB/ft)
- 2200 "	0.164 " (0.05 dB/ft)
Connector attenuation (2 pcs)	≤ 0.1 dB
Maximum operating frequency	3000 MHz
Average power rating	
- 1000 MHz	750 W
- 2200 "	480 W
Peak RF voltage rating	1.39 kV
Peak power rating	19.0 kW

MECHANICAL CHARACTERISTICS

Maximum pulling force	
N	300 N
DIN 7-16	500 N
4.3/10	300 N
Minimum bending radius	
- Single bending	15 mm (0.6 in)
- Repeated bending	30 mm (1.2 in)
Operating temperature range	-55...+80°C (-67...+176 °F)
Crush resistance	3.4 kg/mm (190 lb/in)
Bending moment	2.7 Nm (2.0 lb-ft)
Water proof	IP 68

JACKETING OPTIONS

JACKET	JACKET code	IEC 60754-2 halogen free, non corrosive	IEC 61034 low smoke emission	IEC 60332-3-24 fire retardant	UV retardancy	Min. installation temperature
Black, halogen free LD polyethylene		yes	no	no	yes	-40°C (-40°F)
Grey, halogen free fire retardant thermoplastic	GHF	yes	yes	yes	no	-20°C (-4°F)
Black, halogen free fire retardant thermoplastic	BHF	yes	yes	yes	yes	-20°C (-4°F)

DIMENSIONS


7-16 Right angle male N Right angle male

MATERIALS IN CONNECTORS
7-16, N and 4.3/10 male, 7-16, N and 4.3/10 Right angle male

Outer conductor	Copper alloy / Silver plated
Inner conductor	Copper alloy / Silver plated
Other metallic parts	Copper alloy
Insulation	PTFE
Sealing	Silicon

7-16 female

Outer conductor	Copper alloy / Silver plated
Inner conductor	Copper alloy / Silver plated
Insulation	PTFE
Sealing	Silicon

N and 4.3/10 female

Outer conductor	Copper alloy / Silver plated
Inner conductor	Copper alloy / Silver plated
Insulation	PTFE

NKJ CODE KEY

NKJ	x	y	z*	Code	1	2	3	4	5	6	7	
				Cable length	0,5 m	1,0 m	1,5 m	2,0 m	2,5 m	3,0 m	3,5 m	
				Code	1	2	3	4	5	6	7	
				Connector	Male 7-16	Female 7-16	Male N	Female N	7-16 male 90°	N male 90°	4.3-10 female	
				Code	P	R	S	T	U	V		
				Connector	4.3-10 Male Screw	4.3-10 Male Quick Lock	4.3-10 Male Hand Screw	4.3-10 Male 90° Screw	4.3-10 Male 90° Quick Lock	4.3-10 Male 90° Hand Screw		
				NKJ	1/2" Superflexible Jumper							
				NKJA	1/2" Feeder cable Jumper							
				NKJB	1/4" Superflexible Jumper							
				NKJC	3/8" Superflexible Jumper							

E.g. NKJ1P6 (7-16 Male, 4.3-10 Male Screw, 3 m)

PE Jacket as standard in Jumpers; add BHF at the end of code if Black HFFR Jacket required

E.g. NKJ156BHF (7-16 Male, 7-16 male 90°, 3 m, Black HFFR Jacket)

* Also other lengths available