

1/2" SOLDERED JUMPER CABLE

Customized

CONNECTOR TYPE	7-16 Right angle male N Right angle male 7-16 male and female N male and female 4.3/10 male and female 4.3/10 Right angle male
CABLE TYPE	RFF 1/2"-50 (Superflexible)
LENGTH	Standard lengths: 0.5, 1, 1.5, 2, 3, 4, 5 and 6 m Other lengths available on request

ELECTRICAL CHARACTERISTICS at +20°C

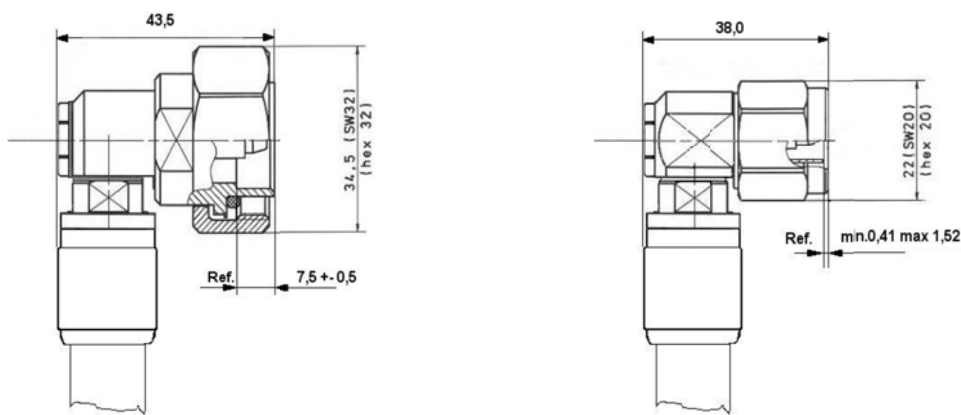
Characteristic impedance	50 ± 1 Ω
Return loss (VSRW) for	
- 30 - 1000 MHz	30 dB (1.06)
- 1000 - 2200 "	28 dB (1.08)
- 2200 - 2700 "	26 dB (1.10)
Intermodulation (2x20W Tx, 3 rd order, typical)	-160 dBc
Attenuation at (cable)	
- 900 MHz	0.100 dB/m (0.03 dB/ft)
- 1000 "	0.106 " (0.03 dB/ft)
- 1800 "	0.147 " (0.04 dB/ft)
- 1900 "	0.151 " (0.05 dB/ft)
- 2000 "	0.155 " (0.05 dB/ft)
- 2200 "	0.164 " (0.05 dB/ft)
- 2800 "	0.188 " (0.06 dB/ft)
Connector attenuation (2 pcs)	≤ 0.1 dB
Maximum operating frequency	3000 MHz
Average power rating	
- 1000 MHz	750 W
- 2200 "	480 W
- 2800 "	420 W
Peak RF voltage rating	1.39 kV
Peak power rating	19.0 kW

MECHANICAL CHARACTERISTICS

Maximum pulling force	
N	300 N
DIN 7-16	500 N
4.3/10	300 N
Minimum bending radius	
- Single bending	15 mm (0.6 in)
- Repeated bending	30 mm (1.2 in)
Operating temperature range	-55...+80°C (-67...+176 °F)
Crush resistance	3.4 kg/mm (190 lb/in)
Bending moment	2.7 Nm (2.0 lb-ft)
Water proof (mated interface)	IP 68

JACKETING OPTIONS

JACKET	JACKET code	IEC 60754-2 halogen free, non corrosive	IEC 61034 low smoke emission	IEC 60332-3-24 fire retardant	UV retardancy	Min. installation temperature
Black, halogen free LD polyethylene		yes	no	no	yes	-40°C (-40°F)
Grey, halogen free fire retardant thermoplastic	GHF	yes	yes	yes	no	-20°C (-4°F)
Black, halogen free fire retardant thermoplastic	BHF	yes	yes	yes	yes	-20°C (-4°F)

DIMENSIONS


7-16 Right angle male N Right angle male

MATERIALS IN CONNECTORS
7-16, N and 4.3/10 male, 7-16, N and 4.3/10 Right angle male

Outer conductor	Copper alloy / Silver plated
Inner conductor	Copper alloy / Silver plated
Other metallic parts	Copper alloy
Insulation	PTFE
Sealing	Silicon

7-16 female

Outer conductor	Copper alloy / Silver plated
Inner conductor	Copper alloy / Silver plated
Insulation	PTFE
Sealing	Silicon

N and 4.3/10 female

Outer conductor	Copper alloy / Silver plated
Inner conductor	Copper alloy / Silver plated
Insulation	PTFE

NKJ CODE KEY

NKJ	x	y	z*	Code	1	2	3	4	5	6	7	
				Cable length	0,5 m	1,0 m	1,5 m	2,0 m	2,5 m	3,0 m	3,5 m	
				Code	1	2	3	4	5	6	7	
				Connector	Male 7-16	Female 7-16	Male N	Female N	7-16 male 90°	N male 90°	4.3-10 female	
				Code	P	R	S	T	U	V		
				Connector	4.3-10 Male Screw	4.3-10 Male Quick Lock	4.3-10 Male Hand Screw	4.3-10 Male 90° Screw	4.3-10 Male 90° Quick Lock	4.3-10 Male 90° Hand Screw		
				NKJ	1/2" Superflexible Jumper							
				NKJA	1/2" Feeder cable Jumper							
				NKJB	1/4" Superflexible Jumper							
				NKJC	3/8" Superflexible Jumper							

E.g. NKJ1P6 (7-16 Male, 4.3-10 Male Screw, 3 m)

PE Jacket as standard in Jumpers; add BHF at the end of code if Black HFFR Jacket required

E.g. NKJ156BHF (7-16 Male, 7-16 male 90°, 3 m, Black HFFR Jacket)

* Also other lengths available

© PRYSMIAN GROUP 2014, All Rights Reserved

All sizes and values without tolerances are reference values. Specifications are for product as supplied by Prysmian Group: any modification or alteration afterwards of product may give different result.

The information contained within this document must not be copied, reprinted or reproduced in any form, either wholly or in part, without the written consent of Prysmian Group. The information is believed to be correct at the time of issue. Prysmian Group reserves the right to amend this specification without prior notice. This specification is not contractually valid unless specifically authorised by Prysmian Group.